

(B202-A) BMW X3 2004-	D (H)	S ()	T ()	C ()
	B202-A	6,3	75	1800
D = g* TC/T+C ()				
S-				
T-				
C-				

(B202-A) BMW X3 2004-
1000
28248-89 «
37.001.096-93 “

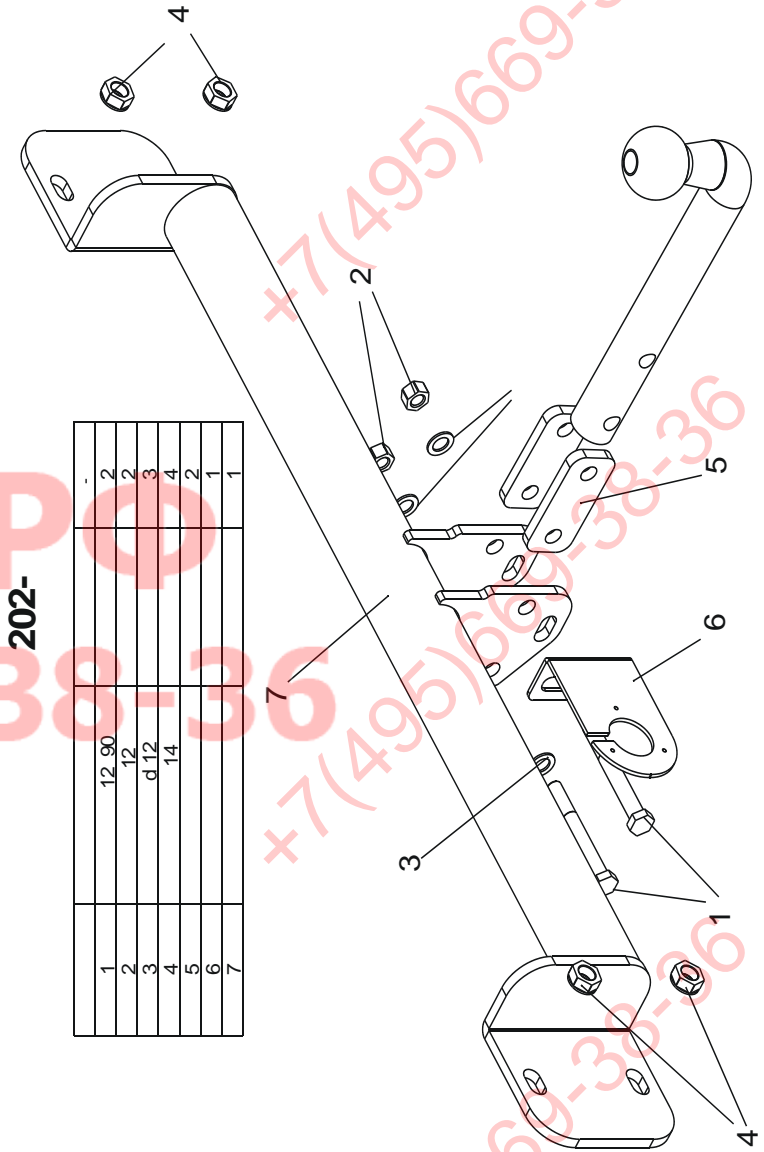
80 /

1.		2.	
	(B202-A) BMW X3 2004-		1
	50		1
	9,3		1
			1

ФАРКОП.РФ

+7 (495) 669-38-36

1 (L/1)			
2 (54/2G)			
3 (31/3)			
4 (R/4)			
5 (58R/5)			
6 (54/6)			
7 (58L/7)			



202-